

**General Description**

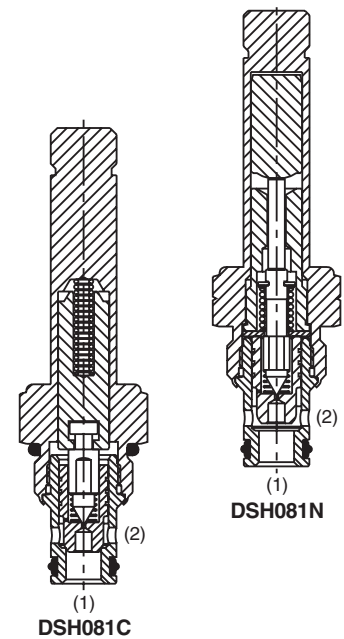
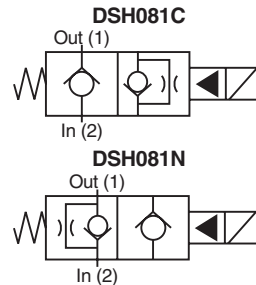
2-Way Poppet Valves.  
 For additional information see Technical Tips on pages SV2-SV6.

**Features**

- Replaceable, one piece encapsulated, coils with minimal amperage draw
- Variety of coil terminations and voltages
- Variety of manual override options available
- Polyurethane “D”-Ring eliminates need for backup rings
- Spherical poppet for low leakage
- Nylon inserted jam-nut provides secure holding in high vibration applications
- All external parts zinc plated

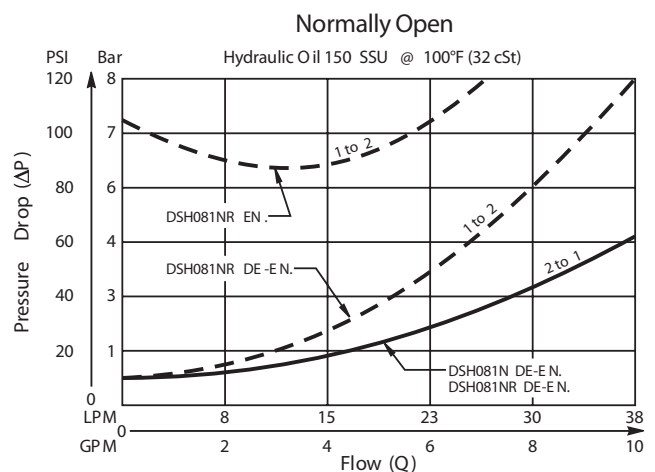
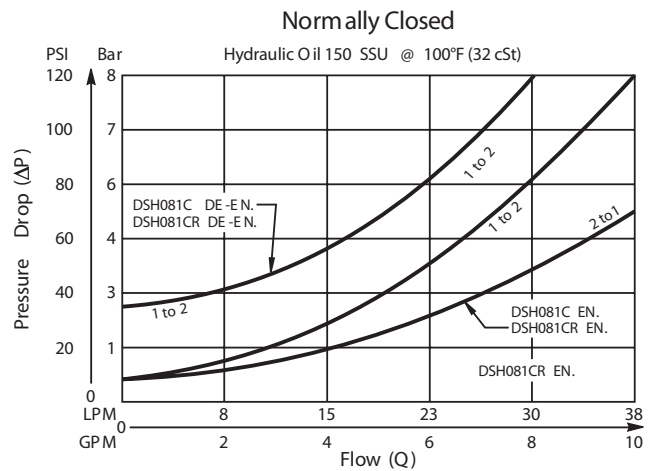
**Specifications**

Rated Flow	30 LPM (8 GPM)									
Maximum Inlet Pressure	350 Bar (5000 PSI)									
Leakage at 150 SSU (32 cSt)	5 drops/min. (.33 cc/min.)									
Minimum Operating Voltage	85% of rated voltage at 20°C (72°F).									
Response Time	<table border="1"> <tr> <td></td> <td><b>Energized</b></td> <td><b>De-Energized</b></td> </tr> <tr> <td><b>C, CR</b></td> <td>50 ms</td> <td>50 ms</td> </tr> <tr> <td><b>N, NR</b></td> <td>50 ms</td> <td>40 ms</td> </tr> </table>		<b>Energized</b>	<b>De-Energized</b>	<b>C, CR</b>	50 ms	50 ms	<b>N, NR</b>	50 ms	40 ms
	<b>Energized</b>	<b>De-Energized</b>								
<b>C, CR</b>	50 ms	50 ms								
<b>N, NR</b>	50 ms	40 ms								
Cartridge Material	All parts steel. All operating parts hardened steel.									
Operating Temp. Range/Seals	-37°C to +93°C (“D”-Ring) (-35°F to +200°F) -34°C to +121°C (Nitrile) (-30°F to +250°F) -26°C to +204°C (Fluorocarbon) (-15°F to +400°F)									
Fluid Compatibility/Viscosity	Mineral-based or synthetic with lubricating properties at viscosities of 45 to 2000 SSU (6 to 420 cSt)									
Filtration	ISO 4406 18/16/13, SAE Class 4									
Approx. Weight	.11 kg (.25 lbs.)									
Cavity	C08-2 (See BC Section for more details)									



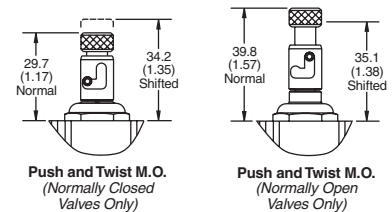
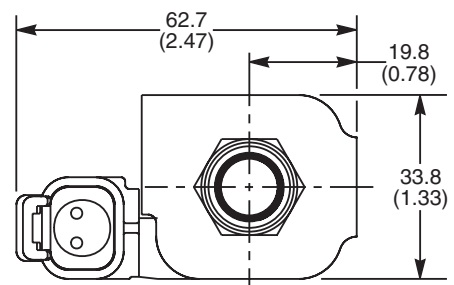
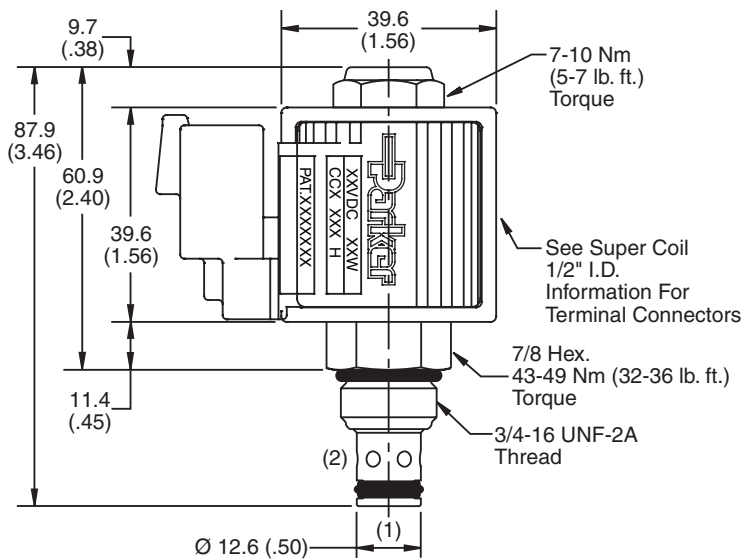
**Performance Curves**

**Pressure Drop vs. Flow (Through cartridge only)**



- CV Check Valves
- SH Shuttle Valves
- LM Load/Motor Controls
- FC Flow Controls
- PC Pressure Controls
- LE Logic Elements
- DC Directional Controls
- SV Solenoid Valves
- PV Proportional Valves
- CE Coils & Electronics
- BC Bodies & Cavities
- TD Technical Data

**Dimensions** Millimeters (Inches)



**Ordering Information**

**DSH081**           

**08 Size Solenoid Valve**      **Style**      **Override Option**

**Highlighted** represents preferred options that offer the shortest lead times. Other options may be available, but at extended lead times.

**Coil(s) sold separately.** Please see section CE of this catalog, 1/2" Super-Coil (CC series), for ordering information.

*Order Bodies Separately See section BC*

Code / Style	
<b>C</b> Normally Closed Metered reverse flow	
<b>CR</b> Normally Closed Free reverse flow	
<b>N</b> Normally Open Metered reverse flow	
<b>NR</b> Normally Open Free reverse flow	

Code	Override Options
Omit	None
T	Push & Twist (N.C. & N.O.)

**B08** - **2** - **6T**

08 size      2-Way Cavity      Port Size

Code	Seals
Omit	"D"-Ring

Code	Port Size / Body Material
6T	SAE-6 / Steel (5000 PSI)

Kit	Part Number
D-Ring Seal	SK08-2
Nitrile Seal	SK08-2
Fluorocarbon Seal	SK08-2V

**CV**  
Check Valves

**SH**  
Shuttle Valves

**LM**  
Load/Motor Controls

**FC**  
Flow Controls

**PC**  
Pressure Controls

**LE**  
Logic Elements

**DC**  
Directional Controls

**SV**  
Solenoid Valves

**PV**  
Proportional Valves

**CE**  
Coils & Electronics

**BC**  
Bodies & Cavities

**TD**  
Technical Data